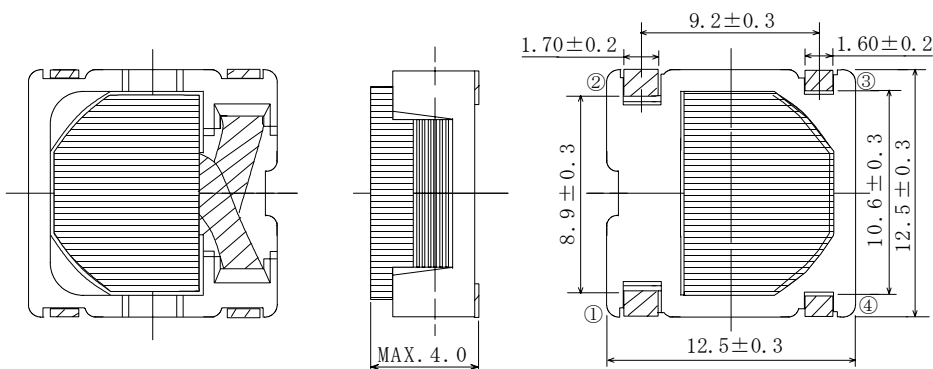
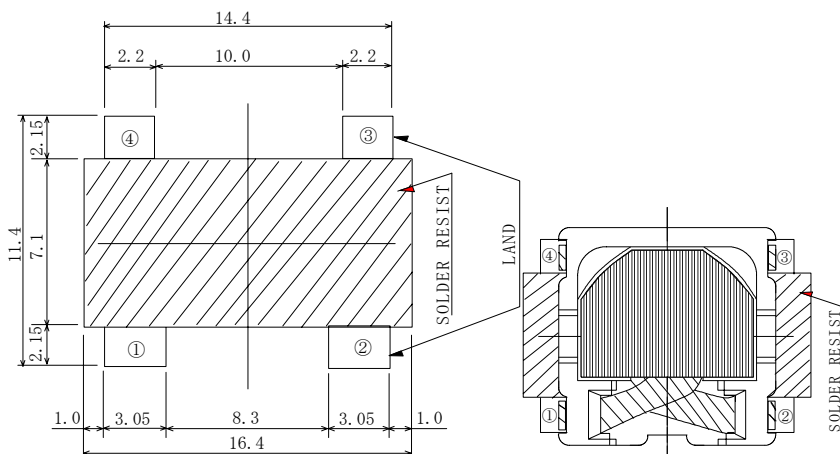
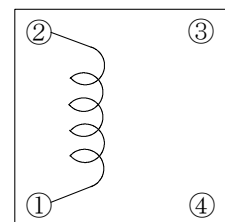


Type: CEP12D38
◆ Product Description

- 12.8×12.8mm Max. (L×W), 4.0mm Max. height
- Inductance range 1.0~4.0 μ H(Standard type) ; 0.6~2.6 μ H (High Power)
- Saturation Current range: 7.2~14.8A(Standard type) ;
12.2~24.4A (High Power type).
- Temperature rise current range: 8.0~11.5A
- In addition to the standards versions shown here, custom inductors are also available to meet your exact requirements.


◆ Feature

- Super high current inductors, Low DCR.
- Mn-Zn core used, Flat wire used.
- Ideally used in Notebook PC CPU power supply.
- RoHS Compliance

◆ Dimensions (mm)

◆ Land Pattern (mm)

◆ Schematics (Bottom)


Type: CEP12D38
◆ Specification
1. Standard Type

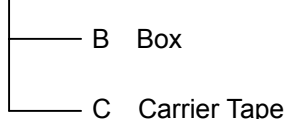
Part Name ※	Stamp	Inductance [Within] 100kHz/1V	D.C.R.(mΩ) Max.(Typ.) (at 20°C)	Saturation current (A)※1		Temperature rise current (A)※2
				(at 20°C)	(at 100°C)	
CEP12D38NP-1R0M□	1R0M	1.0 μH ±20%	6.0(5.0)	14.8	12.2	11.5
CEP12D38NP-1R8M□	1R8M	1.8 μH ±20%	7.2(6.0)	11.0	9.0	10.0
CEP12D38NP-2R8M□	2R8M	2.8 μH ±20%	8.6(7.1)	8.8	7.4	9.5
CEP12D38NP-4R0M□	4R0M	4.0 μH ±20%	12.1(10.1)	7.2	6.2	8.0

2. High Power Type

Part Name ※	Stamp	Inductance [Within] 100kHz/1V	D.C.R.(mΩ) Max.(Typ.) (at 20°C)	Saturation current (A)※1		Temperature rise current (A)※2
				(at 20°C)	(at 100°C)	
CEP12D38NP-0R6M□-H	0R6M	0.6 μH ±20%	6.0(5.0)	24.4	20.0	11.5
CEP12D38NP-1R1M□-H	1R1M	1.1 μH ±20%	7.2(6.0)	18.1	14.6	10.0
CEP12D38NP-1R8M□-H	1R8M	1.8 μH ±20%	8.6(7.1)	13.9	11.5	9.5
CEP12D38NP-2R6M□-H	2R6M	2.6 μH ±20%	12.1(10.1)	12.2	9.9	8.0

※ Description of part name

CEP12D38- 0R6M□-H



※1.Saturation Current: The DC current at which the inductance decreases to 75% of it's nominal value

※2 Temperature rise current: The DC current at which the temperature rise is Δt=40°C.(Ta=20°C)